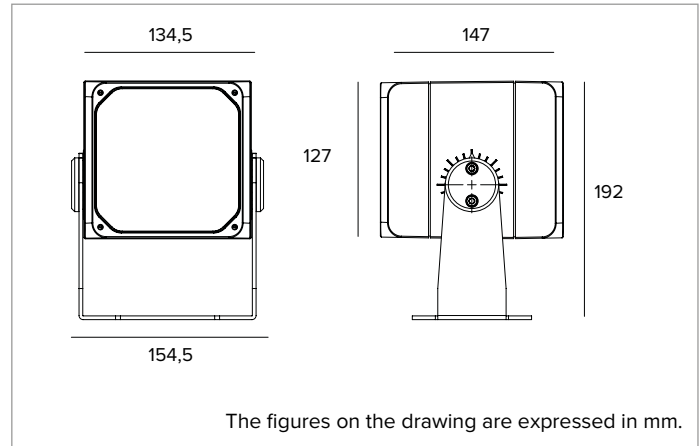


## 1E3928DA | DART Medium

### Professional adjustable LED projector



		3000K	H(m)	D(m)	E <sub>max</sub> (lx)
		Ra80		10°	
Fixture Power	19W	1	0.17	43058	
Source Flux	2372lm	2	0.34	10764	
Fixture Flux	1795lm	3	0.51	4784	
Efficacy	94lm/W	4	0.68	2691	
TS1512	I <sub>max</sub> =18153cd/klm	I <sub>max</sub>	43058cd	5	0.86



#### SOURCE

High efficiency Ra80 LED Emitter.

**Energy efficiency class:** G

**Nominal power:** 16W

**Nominal flux:** 2372lm

**Colour rendering index:** 80

**Rf:** 85

**Rg:** 98.8

**CCT nominal:** 3000K

**SDCM:** 2

**Lifetime (L80/B10):** >50000h tq +25°C

#### ILLUMINOTECHNICAL CHARACTERISTICS

Equipped with methacrylate lenses.

**Optic:** LENS

**Beam angles:** NSP

**Optical efficiency:** 76%

**Fixture flux:** 1795lm

**Luminous efficacy:** 94lm/W

**Photobiological safety:** Compliant with RG1 low risk group

#### MECHANICAL CHARACTERISTICS

Painted die-cast anodised aluminium body and painted stainless steel mounting bracket. Rotation of  $\pm 45^\circ$  on the horizontal plane and of 0-120° or 0-20° on the vertical plane.

**Colour and finish:** Ferrite

**Weight:** 3.55Kg

**Degree of protection:** IP66

**Mechanical Resistance:** IK10

#### ELECTRICAL CHARACTERISTICS

Complete with a dimmable DALI power supply. Pre-cabled with a 1.5m H07RN-F cable. Luminaire compliant with EN 60598-2-22 for power supply from a centralised emergency system CPSS (Central Power Supply System), not incorporated in the luminaire - high risk areas excluded. The default power and flux are 100% in AC and 15% in DC.

**Fixture Power:** 19W

**Power supply:** 220-240Vac 50/60Hz

**Insulation Class:** CLASS 1

**Type of driver / Control:** DALI - PUSH

**Driver included:** YES

**Class F:** YES

**SAFE FLICKER:** PstLM=<1 and SVM=<0.4 (IEC TR 61547-1 and IEC TR 63158), to ensure a more comfortable and safe light

**Ambient temperature:** -25°C / +35°C

#### INSTALLATION

Mounting bracket with aiming adjustability.

#### NOTES

Casambi control system available using a dedicated accessory. Uses the "Waterblock Smart" technical solution that involves resin coating the connection cables, limiting the risk of humidity reaching the driver or the fixture. It is possible to subject the product to Cataphoresis treatment on request. 110-277Vac version available on request. Commissioning of the control system via free APP; the intervention of a specialist technician can be quoted on request.

#### WARRANTY

5 years.

#### WARNING

Luminaire designed for disposal/recycling at end-of-life. Replaceable (LED only) light source by a professional. Replaceable control gear by a professional.

*Due to the technological evolution of the electronic components, the data provided may be updated, and as such, confirmation must be requested during the order process.*

*Luminous flux and power supply have +/-10% tolerances with respect to the indicated value. tq +25°C (CIE 121).*

*We reserve the right to make technical changes.*

Targetti Sankey S.r.l.  
Via Pratese, 164  
50145 Firenze - Italy  
Tel: +39 055 37911  
targetti.com  
targetti@targetti.com

CCIAA Firenze  
Share Capital:  
€ 500.000,00  
VAT N. (IT):  
01537660480  
R.E.A: FI-275656

**TARGETTI**

# 1E3928DA | DART Medium Professional adjustable LED projector

## Accessories

### Filter



Code

**1E3023**

Blade of light filter.  
PMMA holographic filter for a blade of light effect.  
To be completed with a dedicated holder ring.  
Diameter 101mm.

### Grid



Colour

Code



**1E3025**

Anti-glare louver.  
The central elements may be removed to obtain two different levels of glare control.  
Powder coated stainless steel.

### Screen



Colour

Code



**1E3024**

Asymmetric screen.  
Powder coated stainless steel.

## Mounting System



Colour

Code



**1E3026**

Plate for fixture rotation.  
Powder coated stainless steel.



Dimensions  
ØxH mm

Colour

Code

96x182



**1E3028**

Earthspike.  
Powder coated stainless steel.



Colour

Code



**1E2825**

Pole bracket.  
Anodised and powder coated aluminium.  
Pole Ø 60mm (+/-2mm).



Colour

Code



**1E3027**

Pole multiple mounting system.  
Powder coated stainless steel.  
To be completed with 1E2825.  
Max 4 projectors.

Due to the technological evolution of the electronic components, the data provided may be updated, and as such, confirmation must be requested during the order process.  
Luminous flux and power supply have +/-10% tolerances with respect to the indicated value. tq +25°C (CIE 121).

We reserve the right to make technical changes.

Targetti Sankey S.r.l.  
Via Pratese, 164  
50145 Firenze - Italy  
Tel: +39 055 37911  
targetti.com  
targetti@targetti.com

CCIAA Firenze  
Share Capital:  
€ 500.000,00  
VAT N. (IT):  
01537660480  
R.E.A.: FI-275656

**TARGETTI**

## 1E3928DA | DART Medium Professional adjustable LED projector

### Holder Ring



Colour Code

● 1E3022

Holder ring.  
Powder coated stainless steel.  
AxB 120x120mm.

### Tool



Colour Code

● 1E3029

Laser pointing system.  
Installed by friction on the projector's body.  
Powder coated stainless steel.  
Laser included.

### Connector



Code

1E2769

Linear connection box IP66/IP68.  
5 poles max. wire section 1.5mm<sup>2</sup>.  
Cable diameter range from 7 to 12mm.

### Control systems



Code

1E3048

IP67 wireless control unit with DALI interface.  
It generates a local DALI2 bus, enabling a direct connection to a DALI interface LED driver.  
The module can only be used in a closed system and cannot be connected to an existing DALI network.  
The module is wireless controlled using a Casambi app for smartphones and tablets using Bluetooth 5.0 technology.  
The devices automatically create an adaptive, robust, and reliable wireless mesh network, allowing for the easy and efficient management of a high number of fixtures. The control unit is preset to the DALI 1CH profile, meaning the device can control a single DALI driver with broadcast commands.  
In addition to the DALI broadcast, other operating modes are available, such as:

- Button (normally open)
- Control unit 0/1-10V
- Control unit DALI Tunable White DT8
- Presence sensor



Code

1E4369

IP67 Extender for wireless control of LED driver with dimming DALI interface based on Casambi technology.  
It has a DALI2 output with the capacity to control up to 40 lighting fixtures.  
With the addition of a further external BUS DALI power supply it is possible to control up to 64 fixtures.  
IP67 Extender is preset to the DALI broadcast profile, meaning all the luminaires connected to it are dimmable at the same level.  
In addition to the DALI broadcast other operating modes are available, such as:

- EXTENDER DALI 8CH
- EXTENDER DALI Tunable White
- EXTENDER DALI 4CH
- EXTENDER DALI DT8 Tunable White

Due to the technological evolution of the electronic components, the data provided may be updated, and as such, confirmation must be requested during the order process.

Luminous flux and power supply have +/-10% tolerances with respect to the indicated value. tq +25°C (CIE 121).

We reserve the right to make technical changes.

Targetti Sankey S.r.l.  
Via Pratese, 164  
50145 Firenze - Italy  
Tel: +39 055 37911  
targetti.com  
targetti@targetti.com

CCIAA Firenze  
Share Capital:  
€ 500.000,00  
VAT N. (IT):  
01537660480  
R.E.A: FI-275656

**TARGETTI**

## 1E3928DA | DART Medium Professional adjustable LED projector

### Surge protector



Code

**A013A**

Surge protector compatible with CLASS I lighting fixtures.  
Operating voltage 230-277Vac.  
SPD type 2+3.  
Max surge protection 10kV.  
CLASS I  
IP67



Code

**A013C**

Surge protector compatible with CLASS I lighting fixtures.  
DALI, DMX, 0-10V datalines compliance.  
Operating voltage 230Vac.  
SPD type 2+3.  
Max surge protection 10kV.  
CLASS I  
IP20

Due to the technological evolution of the electronic components, the data provided may be updated, and as such, confirmation must be requested during the order process.

Luminous flux and power supply have +/-10% tolerances with respect to the indicated value. tq +25°C (CIE 121).

We reserve the right to make technical changes.

Targetti Sankey S.r.l.  
Via Pratese, 164  
50145 Firenze - Italy  
Tel: +39 055 37911  
targetti.com  
targetti@targetti.com

CCIAA Firenze  
Share Capital:  
€ 500.000,00  
VAT N. (IT):  
01537660480  
R.E.A: FI-275656

# TARGETTI